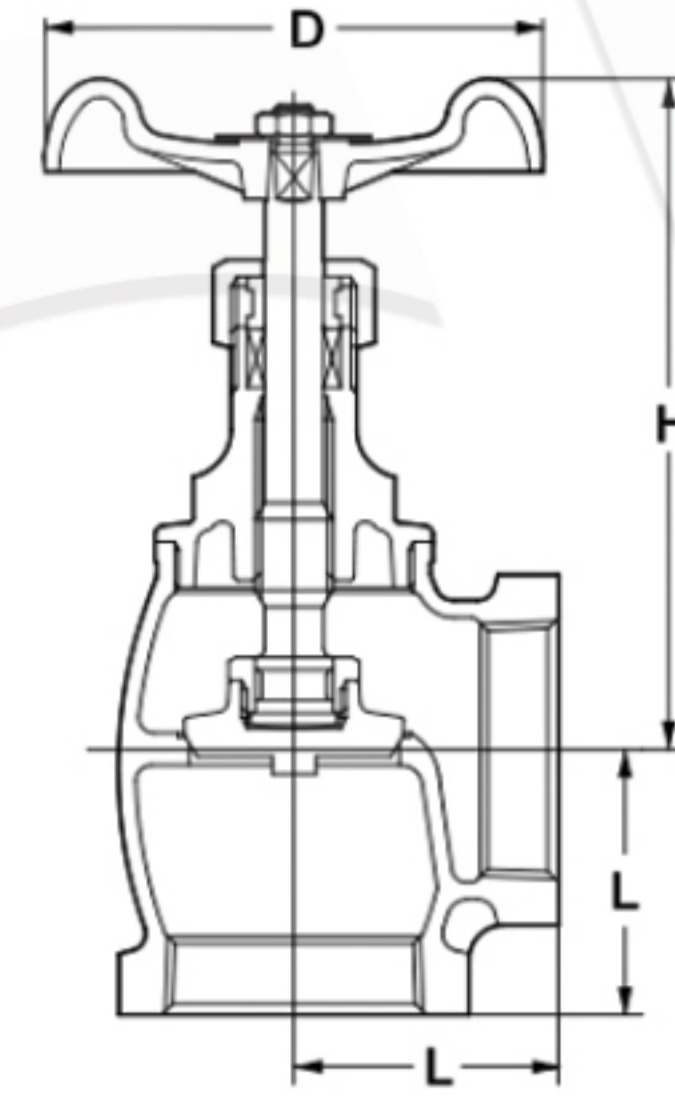


CLASS 150

BRONZE GLOBE VALVE

Screwed Bonnet, Angle type body, Rising Stem
Threaded ends to BS21 (JIS B0203) or NPT

W.O.G. non-shock 2.07 MPa (300 psi), Saturated steam pressure 1.03 MPa (150 psi)



Materials

Parts	Material
Body	Bronze
Bonnet	Brass/Bronze*
Stem	Dezincification Resistant Brass
Disc	Bronze
Gland Packing	Aramid Fibers Graphite

*Size 3 only

⚠ Don't use for Flammable gas or Toxic gas.

Fig. CA

- Threaded end to BS21 (JIS B0203)

Dimensions

Nominal Size	inch	1/4	3/8	1/2	3/4	1	1 1/4	1 1/2	2	2 1/2	3	mm
	mm	8	10	15	20	25	32	40	50	65	80	
L		21	24	28	34	40	47	52	61	74	85	
H valve open		66	68	79	93	104	127	145	174	199	215	
D		50	50	60	70	80	90	100	115	135	155	